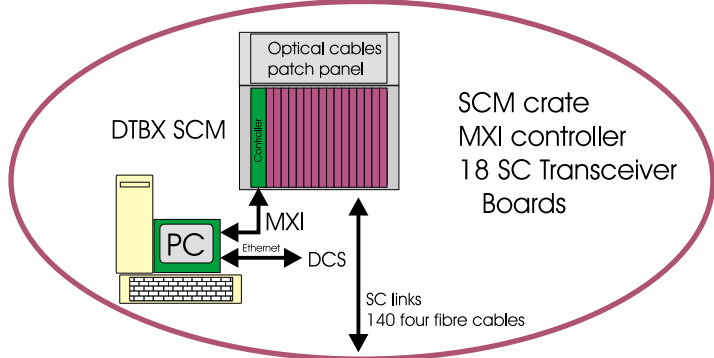


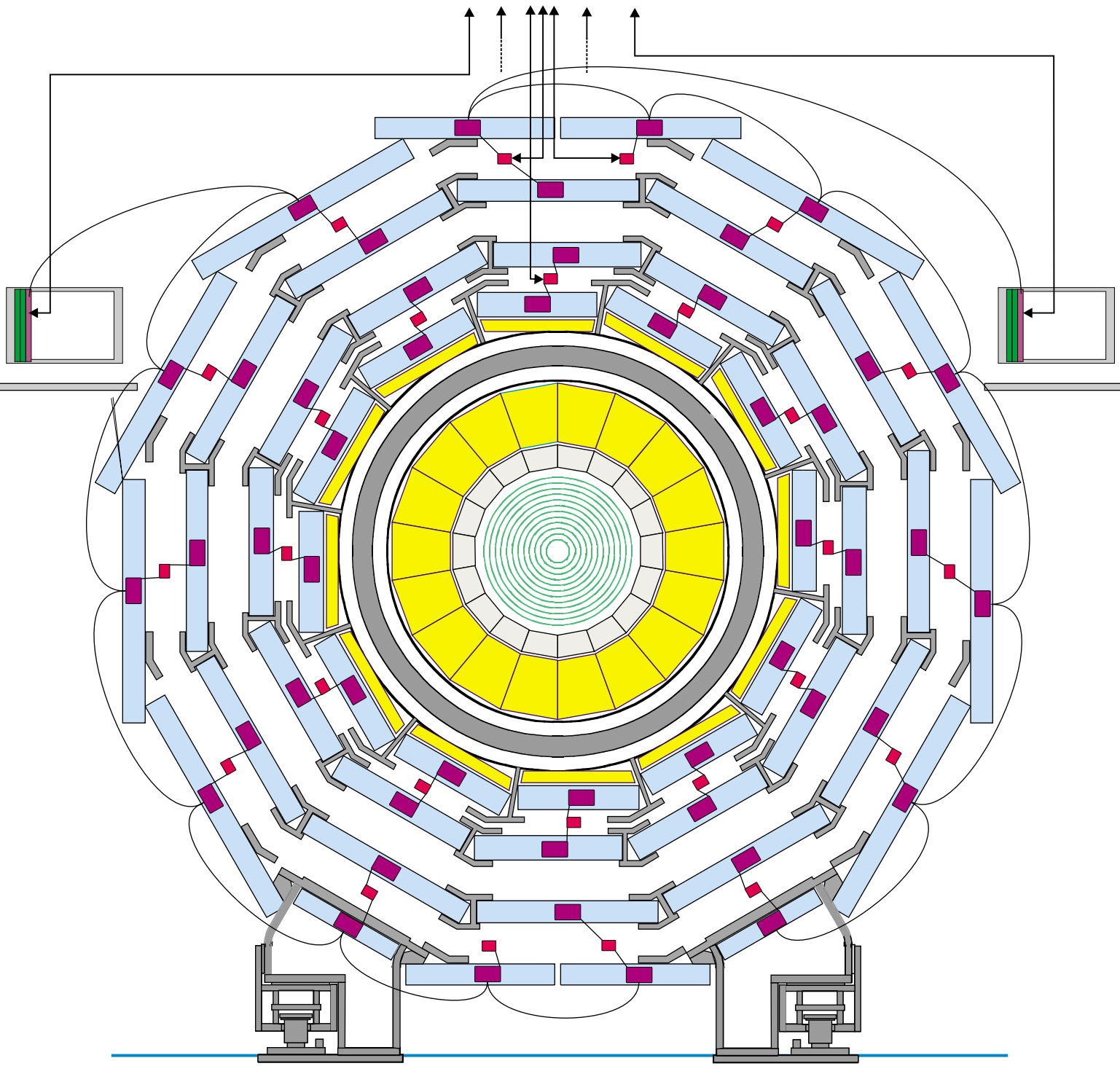
# DTBX SLOW CONTROL LAYOUT

Padova, october 21th, 1999



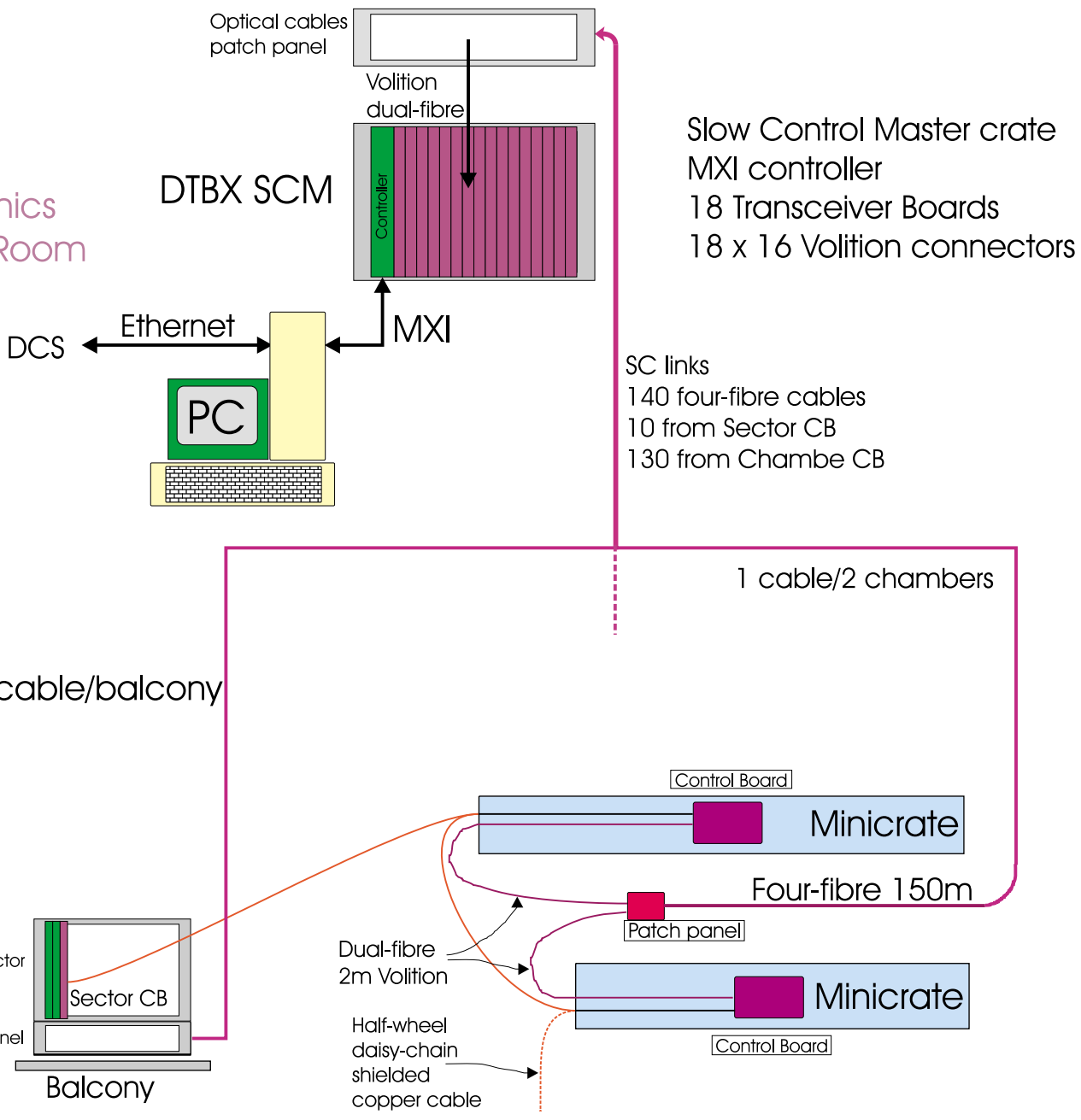
DTBX  
SC electronics  
in Control Room

To/From SCM



# DTBX SLOW CONTROL LAYOUT

DTBX  
SC electronics  
in Control Room



SC protocol is RS232 full-duplex